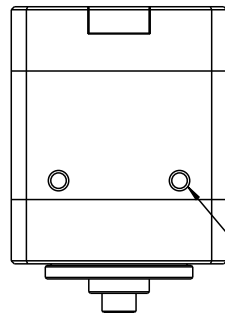
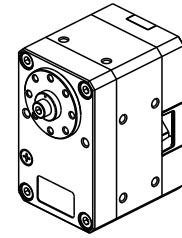


REV.	DESCRIPTION	CHK	DATE



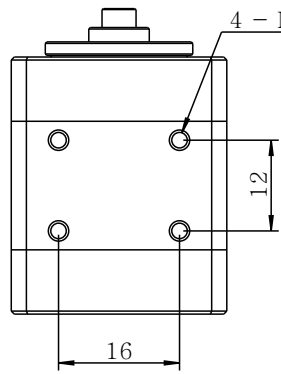
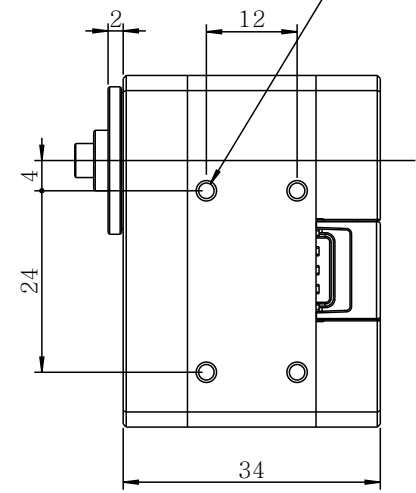
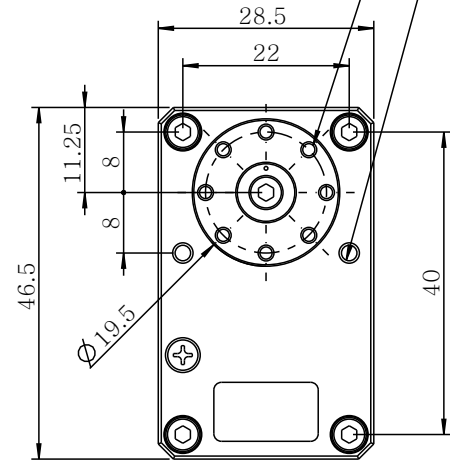
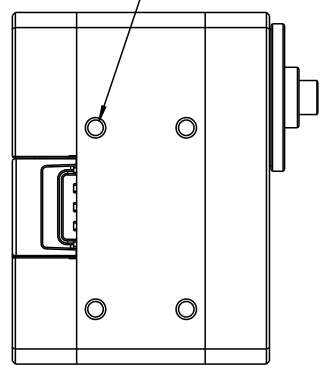
2-M2.5 TAP DP3.0 (MAX.)

8-M2.0 TAP DP2.0 (Max.)
P.C.D Ø 16

4-M2.5 TAP DP3.0 (Max.)

2-M2.5 TAP DP3.0 (Max.)

4-M2.5 TAP DP3.0 (Max.)



4 - M2.5 TAP DP3.0 (Max.)

[FOR REFERENCE ONLY]

XM-430	Material	Scale	Unit	Sheet	
04/03/2016		Nonescale	mm	1 of 1	

