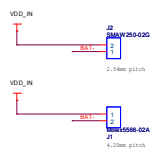
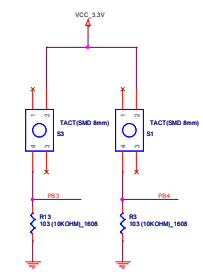


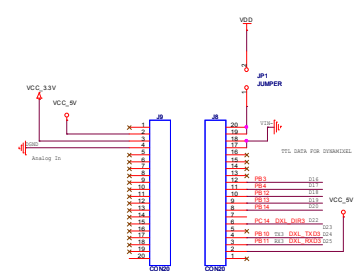
POWER & REGULATOR



DXL_LED **LED**

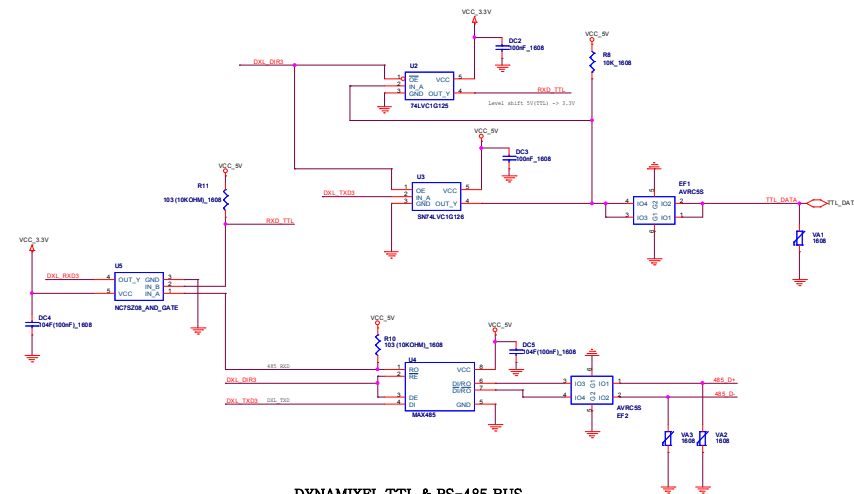


PUSH SWITCH

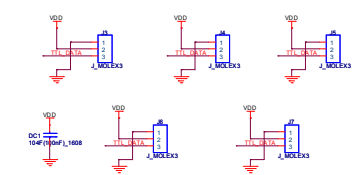


B2B Connector for OpenCM9.04

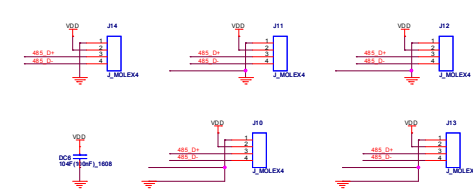
Serial3 (TX, RX) is dedicated to Dynamixel. Use the OpenCM 9.04 Board while using Dynamixel. Do not use Serial3 concurrently.



DYNAMIXEL TTL & RS-485 BUS



TTL 3Pin connector



RS-485 4Pin connector

File	<Title>	Rev
Doc	Document Number	Rev
Ver	Doc	Rev
Rev	Monday, March 04, 2014	Rev